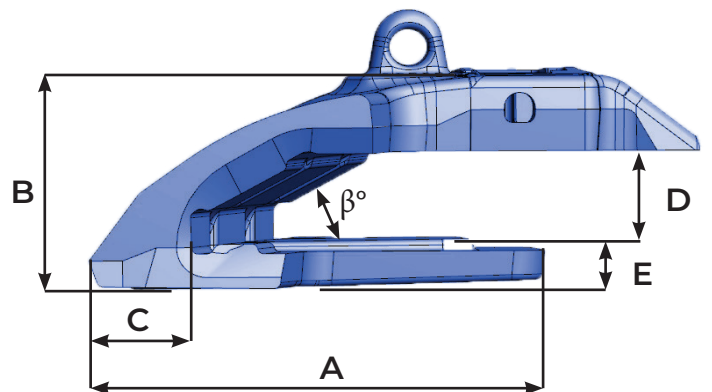
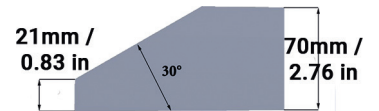
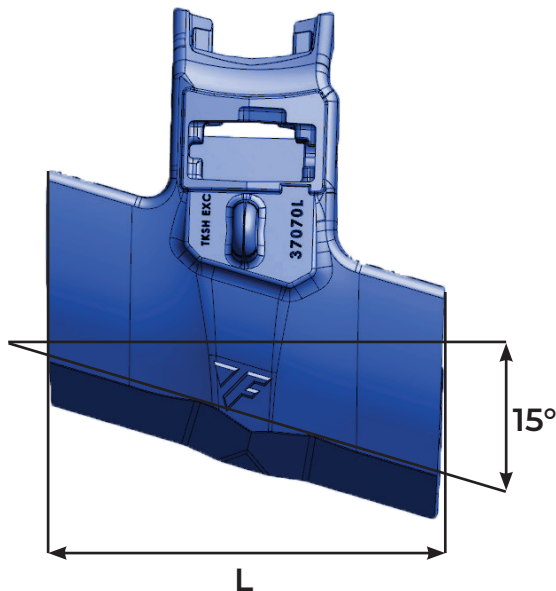
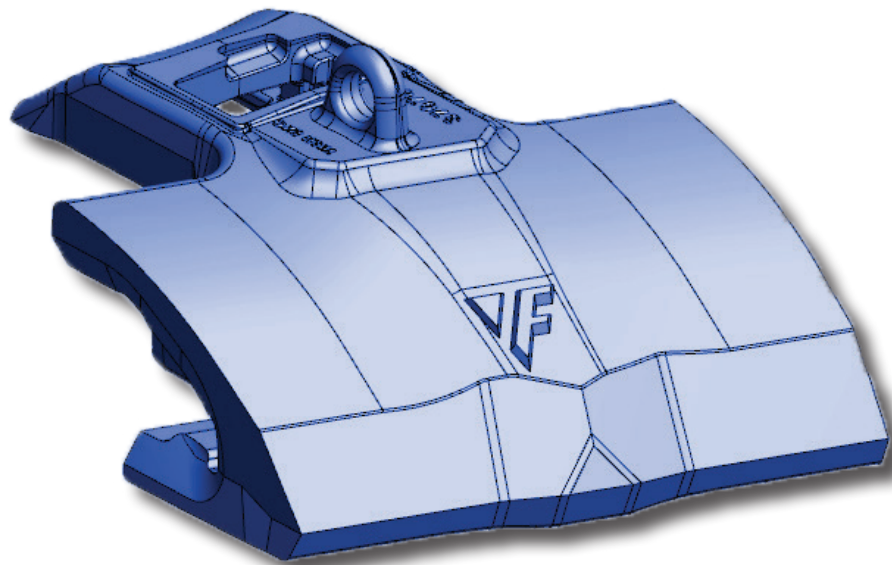




Bucket equipment  
for quarrying & mining

# TKSH EXC 370 70 L



Référence Part number	Poids Weight Kg/Lbs	L mm/in	A mm/in	B mm/in	C mm/in	D mm/in	E mm/in	$\beta^\circ$
TKSH EXC 370 70 L	48 105.82	370 14.57	300 11.81	170 6.69	79 3.11	73 2.87	33 1.33	30°

