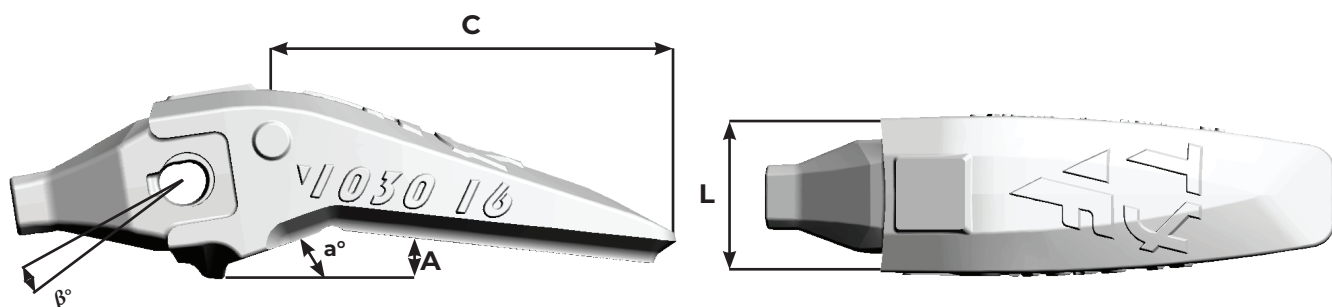




TURNKEY[®]
GRIZZLY

Bucket equipment
for construction

T4 1030 16°



Référence Part number	Poids Weight Kg/Lbs	A mm/in	B mm/in	C mm/in	L mm/in	a°	β°
T4 1030 16°	7 15.43	31 1.22	- -	225 8.86	83 3.27	25°	16°

