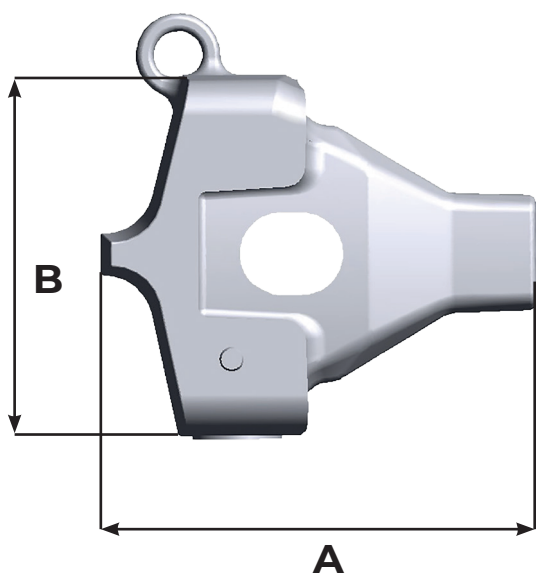




Bucket equipment
for quarrying & mining

TKN17 NS



Référence Part number	Poids Weight Kg/Lbs	A mm/in	B mm/in	L mm/in
TKN17 NS	67.5 148.81	330 13	260 10.24	239 9.41

