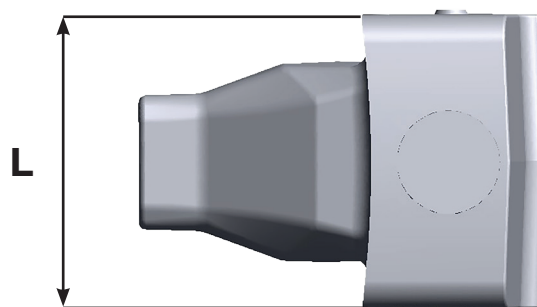
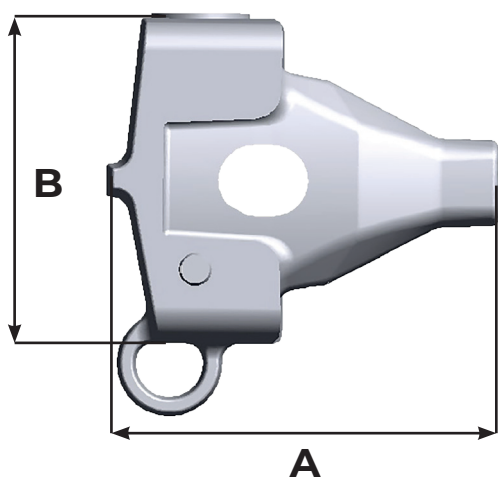
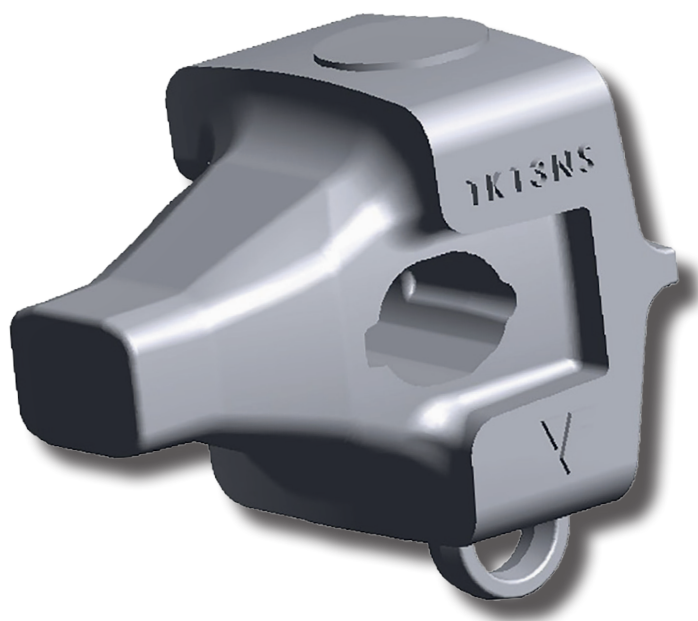




Bucket equipment
for quarrying & mining

TKN13 NS



Référence Part number	Poids Weight Kg/Lbs	A mm/in	B mm/in	L mm/in
TKN13 NS	33.2 73.19	261 10.28	206 8.11	183 7.20

