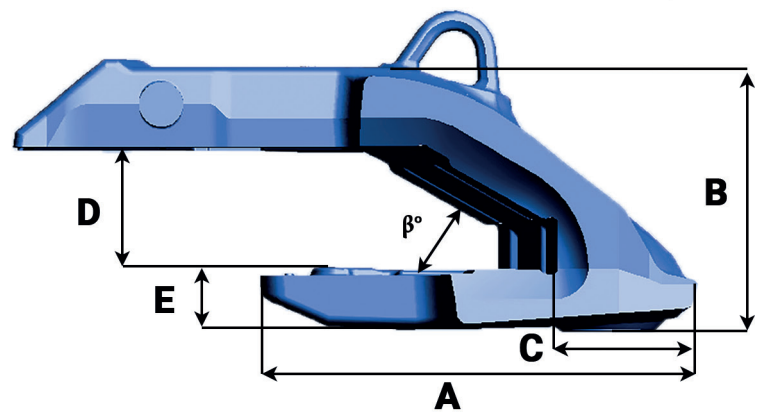
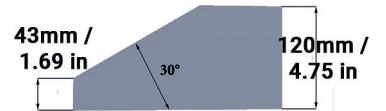
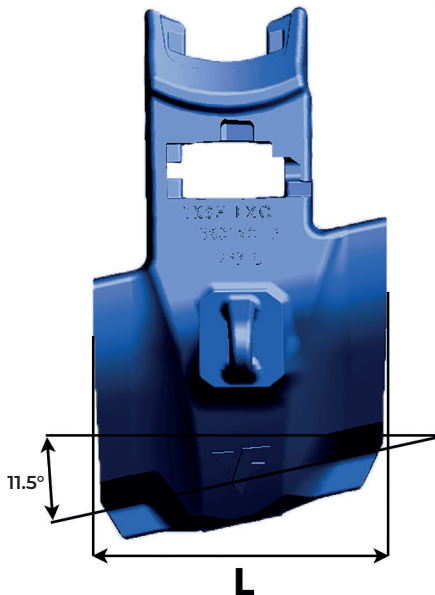




Bucket equipment
for quarrying & mining

TKSH EXC 380 120 R



Référence Part number	Poids Weight Kg/Lbs	L mm/in	A mm/in	B mm/in	C mm/in	D mm/in	E mm/in	β°
TKSH EXC 380 120 R	123 271.17	380 14.96	430 16.93	257 10.12	144 5.67	124 4.88	55 2.16	30°

