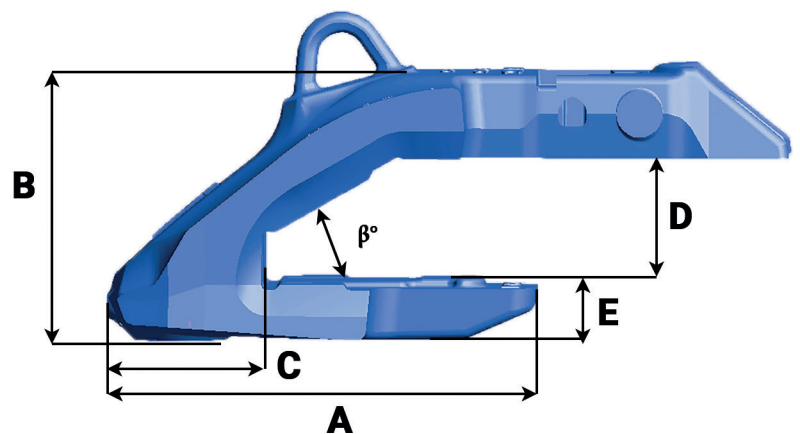
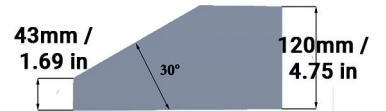




**TURNKEY®**  
RHINO

Bucket equipment  
for quarrying & mining

# TKSH EXC 380 120 C



Référence Part number	Poids Weight Kg/Lbs	L mm/in	A mm/in	B mm/in	C mm/in	D mm/in	E mm/in	$\beta^\circ$
TKSH EXC 380 120 C	122 268.96	380 14.96	425 16.73	257 10.12	150 5.91	124 4.88	55 2.16	30°

