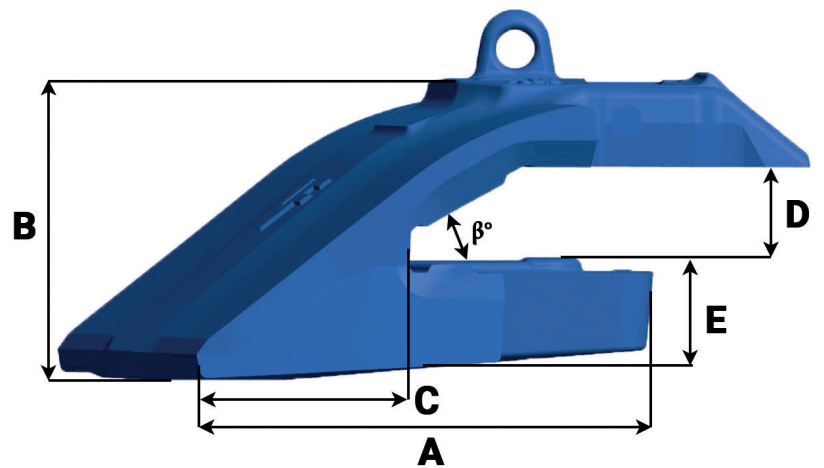
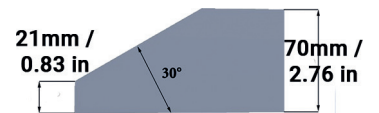
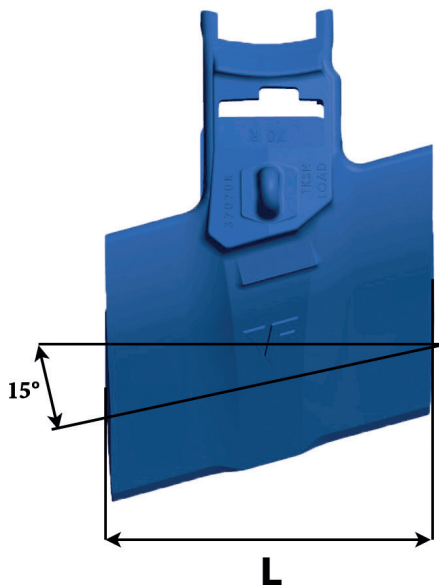
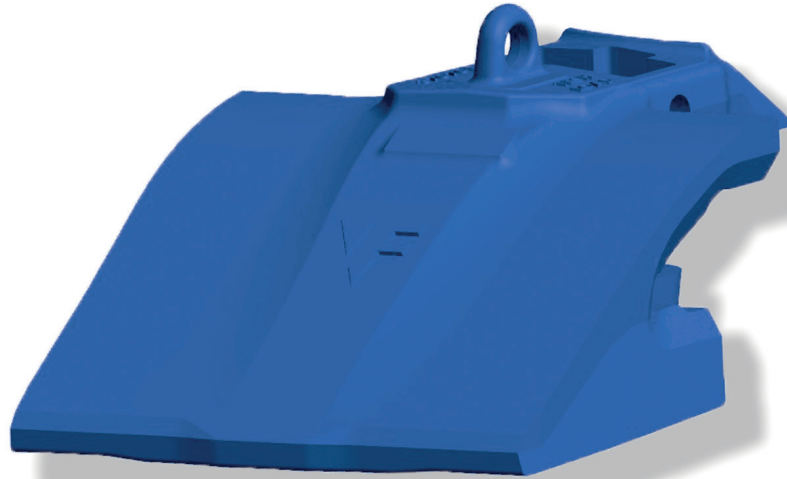




Bucket equipment
for quarrying & mining

TKSH LOAD 370 70 R



Référence Part number	Poids Weight Kg/Lbs	L mm/in	A mm/in	B mm/in	C mm/in	D mm/in	E mm/in	β°
TKSH LOAD 370 70 R	81.75 180.23	370 14.57	380 14.96	205 8.05	170 6.69	72 2.83	71 2.79	30°

