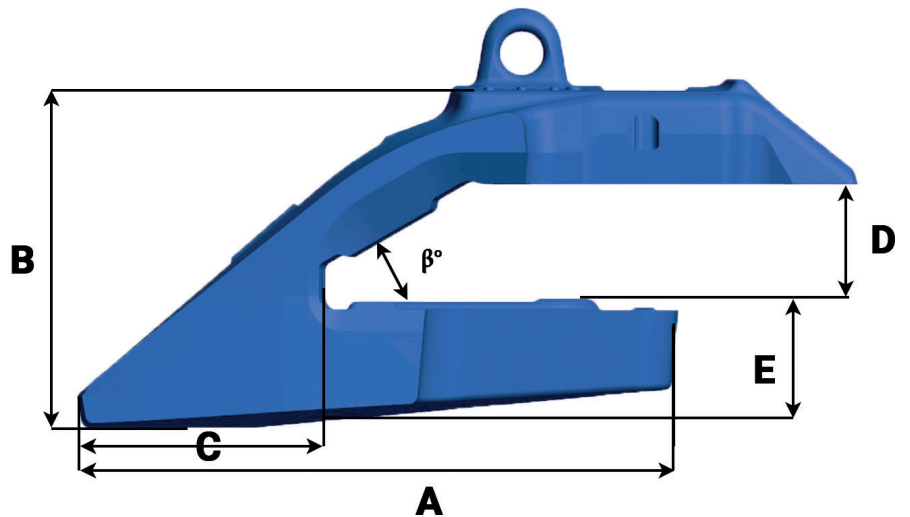
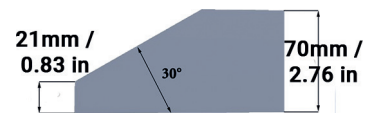




**TURNKEY®**  
RHINO

Bucket equipment  
for quarrying & mining

# TKSH LOAD 370 70 C



Référence Part number	Poids Weight Kg/Lbs	L mm/in	A mm/in	B mm/in	C mm/in	D mm/in	E mm/in	$\beta^\circ$
TKSH LOAD 370 70 C	81 178.57	370 14.57	375 14.76	200 7.87	158 6.22	73 2.87	69 2.72	30°

