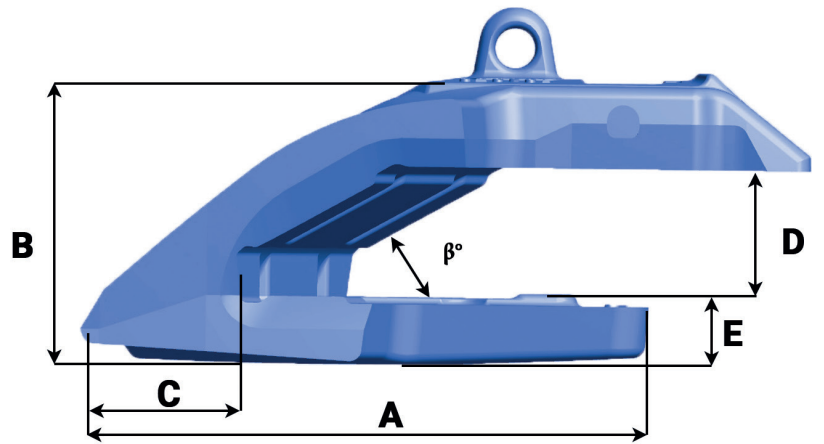
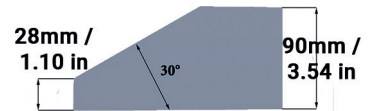
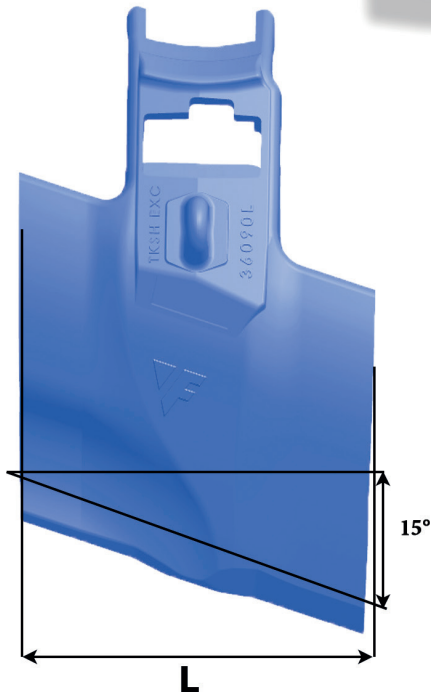
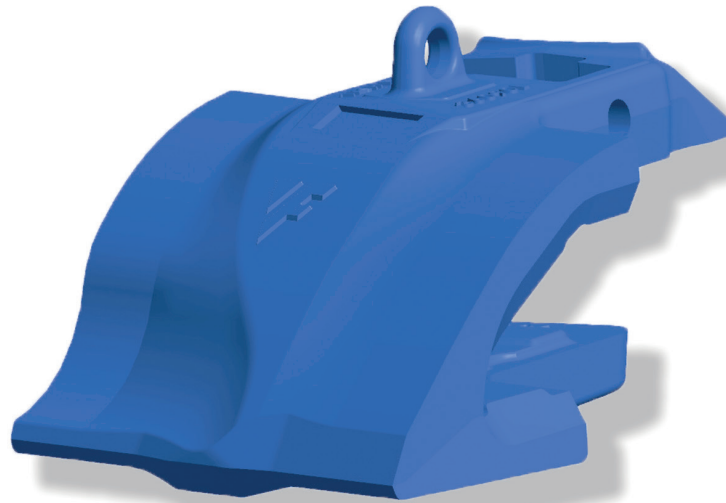




Bucket equipment
for quarrying & mining

TKSH EXC 360 90 L



Référence Part number	Poids Weight Kg/Lbs	L mm/in	A mm/in	B mm/in	C mm/in	D mm/in	E mm/in	β°
TKSH EXC 360 90 L	66.25 146.05	360 14.17	355 13.97	200 7.87	114 4.49	93 3.66	48 1.89	30°

