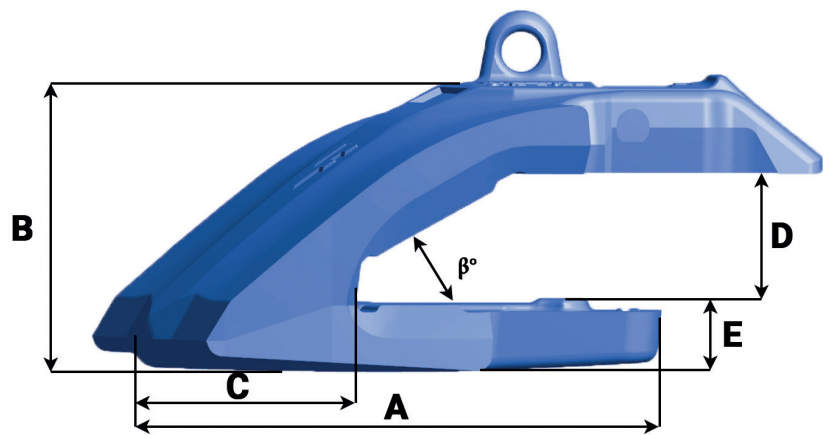
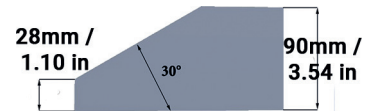
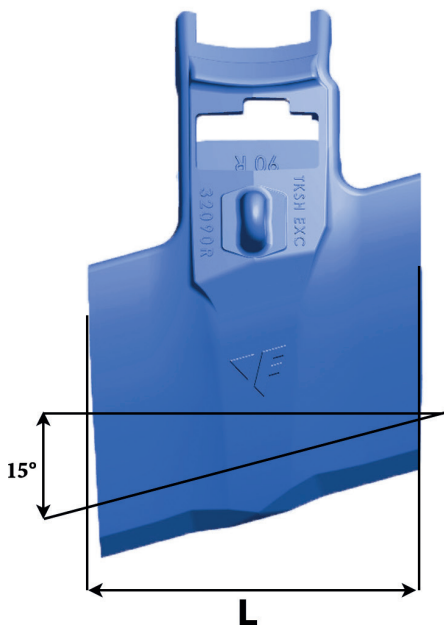
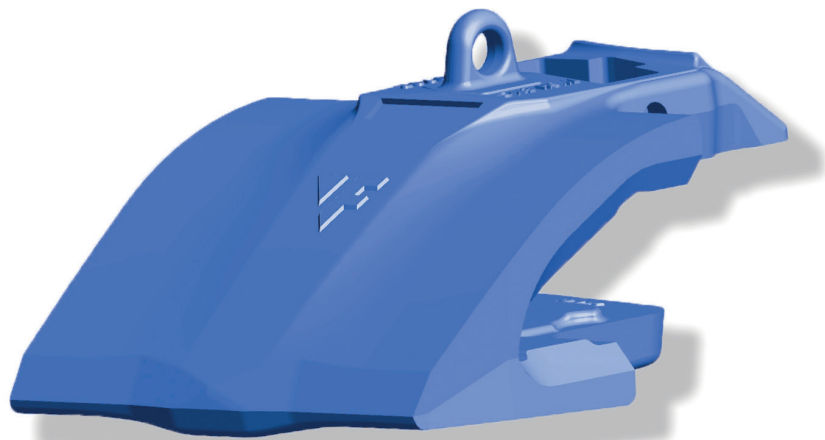




Bucket equipment for quarrying & mining

# TKSH EXC 320 90 R



Référence Part number	Poids Weight Kg/Lbs	L mm/in	A mm/in	B mm/in	C mm/in	D mm/in	E mm/in	$\beta^\circ$
TKSH EXC 320 90 R	61.75 136.14	320 12.59	350 13.78	202 7.95	110 4.33	95 3.66	48 1.89	30°

