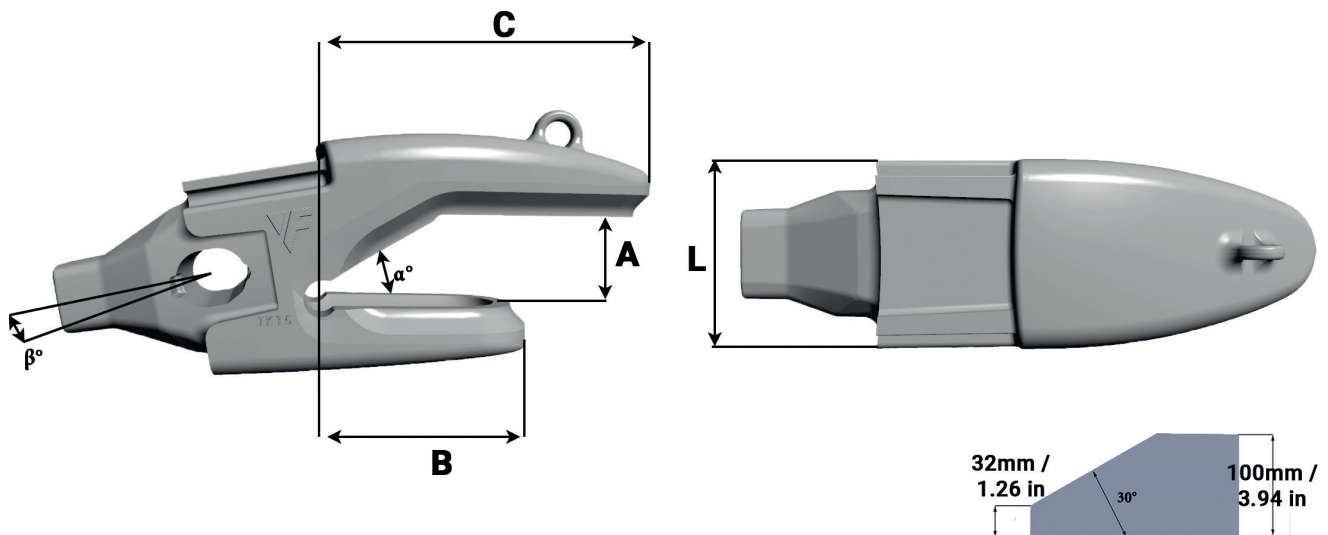
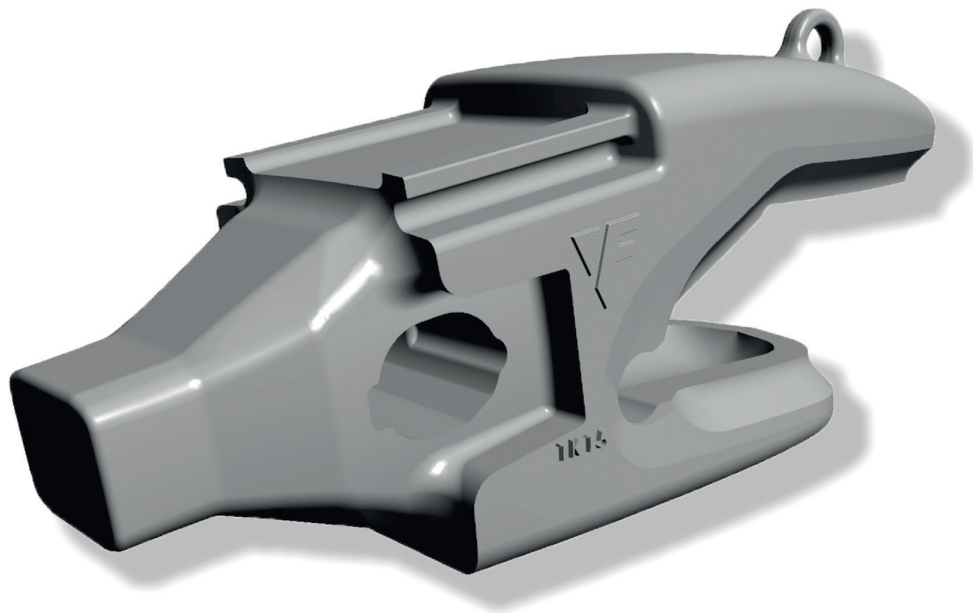




Bucket equipment
for quarrying & mining

TKN15 15100-A10°



Référence Part number	Poids Weight Kg/Lbs	A mm/in	B mm/in	C mm/in	L mm/in	a°	β°
TKN15 15100- A10°	104 229.98	103 4.05	236 9.29	410 16.14	210 8.17	30°	10°

