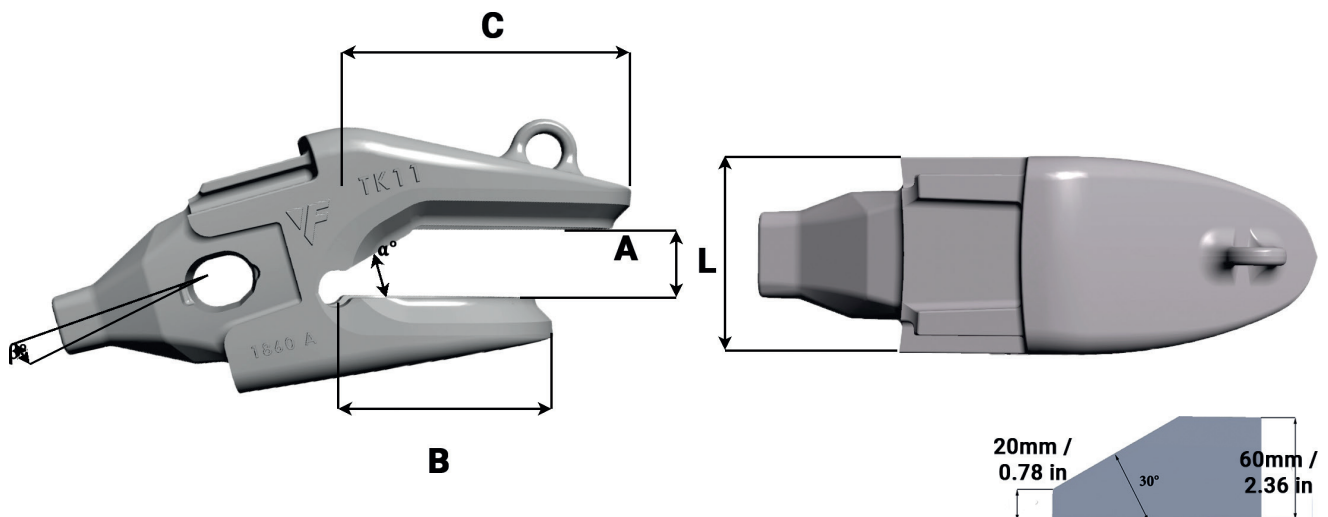




Bucket equipment  
for quarrying & mining

# TKN11 1860-A16°



Référence Part number	Poids Weight Kg/Lbs	A mm/in	B mm/in	C mm/in	L mm/in	a°	β°
TKN11 1860- A16°	46.9 103.40	62 2.44	202 7.95	281 11.06	170 6.69	30°	16°

