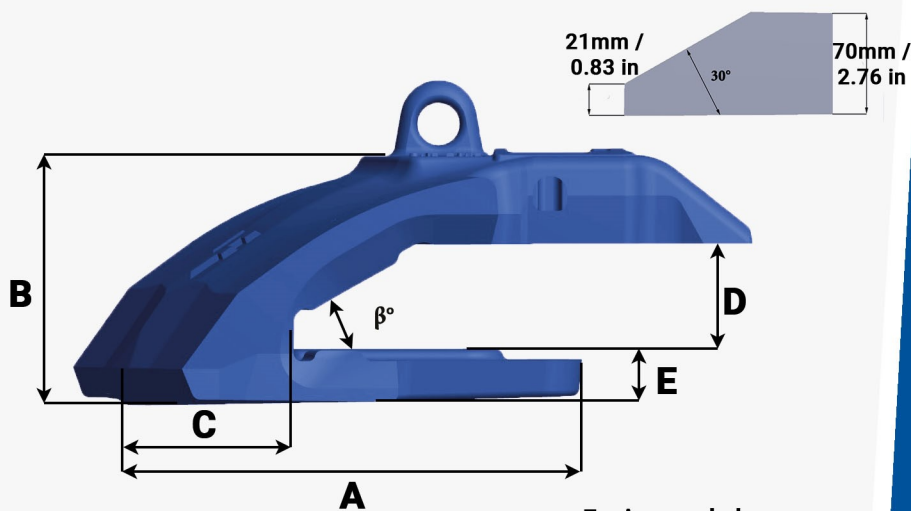
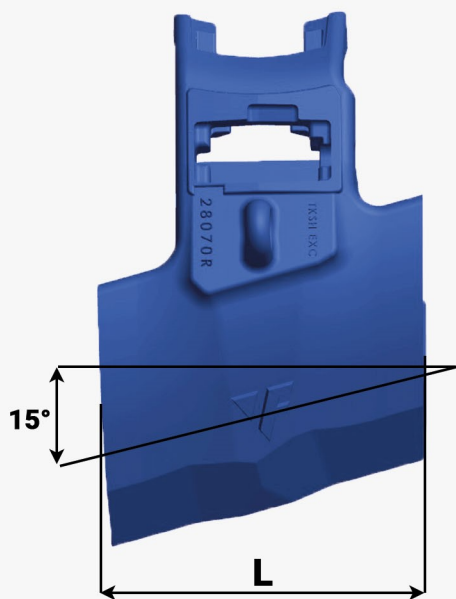
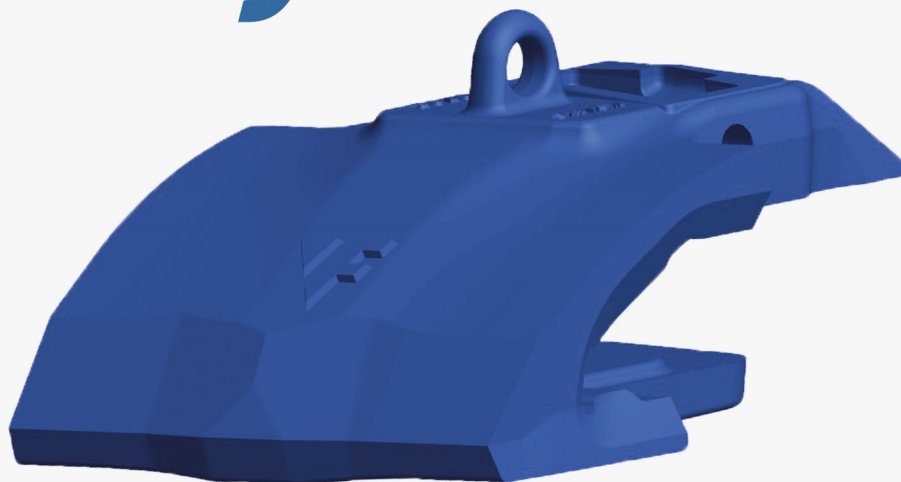


Fiche Produit / Reference sheet

TKSH EXC 280 70 R

Turnkey®



Epaisseur de lame
Blade Thickness
70mm / 2.76 in

| Référence Part Number | Poids Weight (Kg/Lbs) | L (mm/in) | A (mm/in) | B (mm/in) | C (mm/in) | D (mm/in) | E (mm/in) | β° |
|--------------------------|-----------------------------|--------------|--------------|--------------|--------------|--------------|--------------|---------------|
| TKSH EXC 280 70 R | 37.87 83.49 | 280 11.02 | 300 11.81 | 164 6.45 | 73 2.87 | 73 2.87 | 33 1.33 | 30° |